

LFM Medical

Illuminated magnifier for the healthcare sector

LUXO



The low heat output of the lamp and the versatility and robust construction of LFM Medical makes it a great tool for patient examination at a very competitive cost. The magnifying head is made of ABS polymer, combining light weight design with high impact strength.

Shadow-free magnification

The $\varnothing 127$ mm glass lens is positioned in the middle of the circular tube, the ideal way of illuminating an object, virtually eliminating shadows. For additional magnification, secondary lenses can be fixed to LFM medical in seconds.

Safety first!

LFM Medical has several features for additional patient safety including safety fuses on the primary side. A transparent tube protection cover, made from rigid polycarbonate, is standard. A hinged lens cover is also standard. The cover provides dust protection, and also prevents the lens from inadvertently turning into a burning glass. It is removable when not required.

LFM Medical is approved as a medical device according to IEC 60601-1 and IEC 60601-1-2.

About magnification

Follow this link to read more about the principles of magnification, and how a Luxo magnifier can make a difference for people in many different fields of life.

- [Luxo illuminated magnifiers](#)

LFM Medical

TECHNICAL DESCRIPTION

LIGHT SOURCE

Supplied with 1 x T9-C 22 W.

BALLAST

Magnetic ballast.

BODY MATERIAL & COLOUR

Steel arm with plastic covers. Plastic shade. Colour: white.

MOUNTING

Standard with table clamp (AH clamp). Other table clamps, integrated table mounts and trolley are available on request.

OPTICS

Standard with 3 dioptr glass lens. Lens diameter is 127 mm. 4 and 8 dioptr accessory lenses are available on request. Polypropylene reflector.

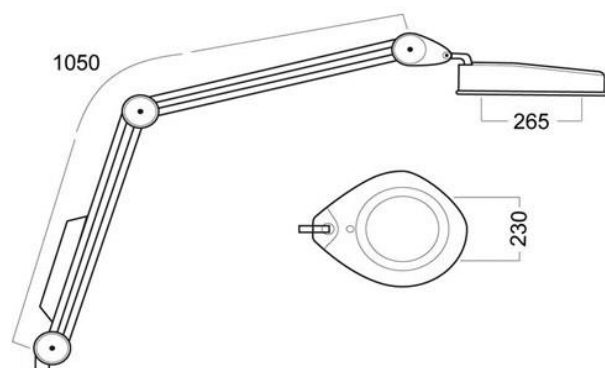
ARM TECHNOLOGY & MOVEMENT

Parallel, three-pivot arm. Arm length is 105cm.

MEDICAL APPROVALS AND CERTIFICATES

UL 60601-1, IEC/EN 60601-1, IEC/EN 60601-1-2.

MEASUREMENT DRAWINGS



LFM Medical

LFM Medical

GALLERY



LFM Medical



LFM Medical